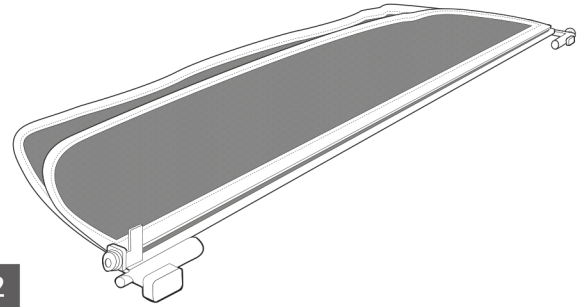
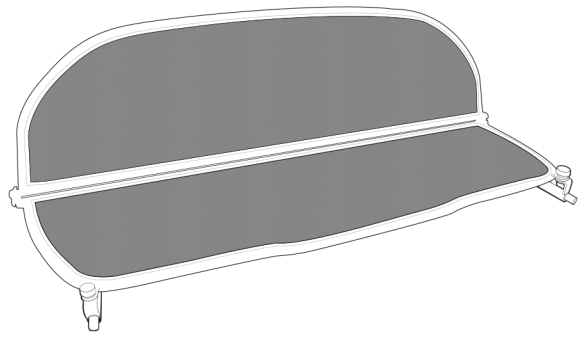
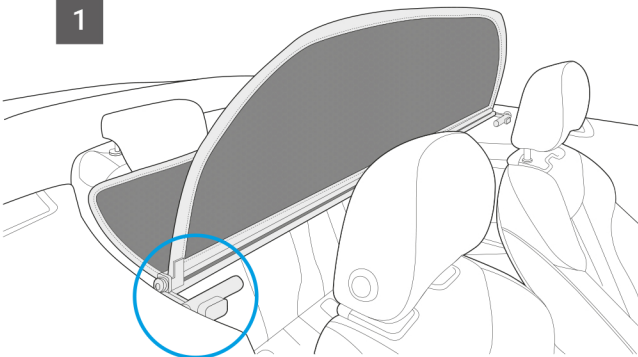




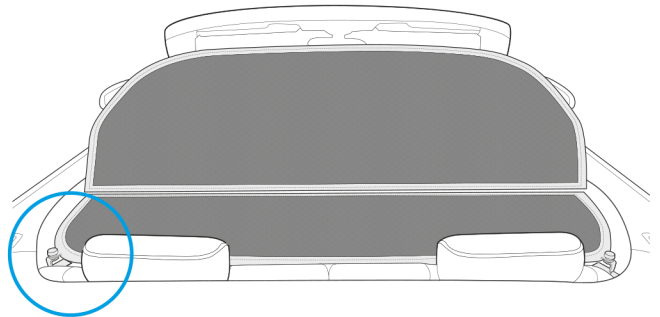
- 80% Reduction in wind blast & noise
- No. 1 accessory for convertibles
- OEM quality
- Guaranteed to fit
- Made in Europe
- Fast & easy installation



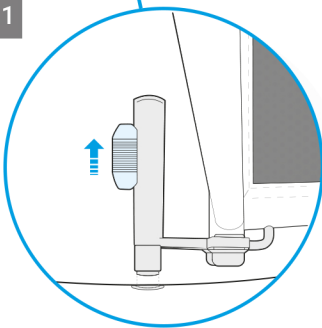
1



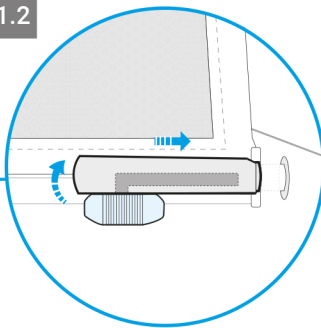
2



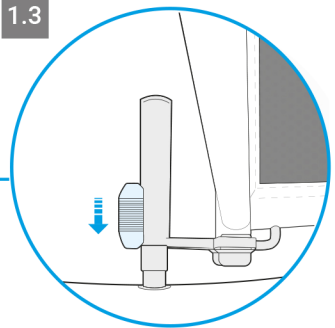
1.1



1.2



1.3



Pin position incorrect?

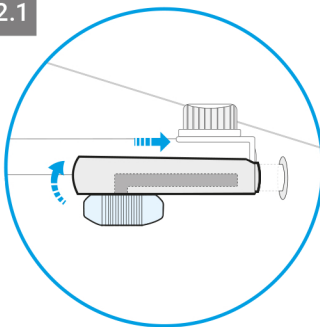
Remove the plastic cap

Undo the bolt



Adjust the pin to the desired position

2.1



2.3

